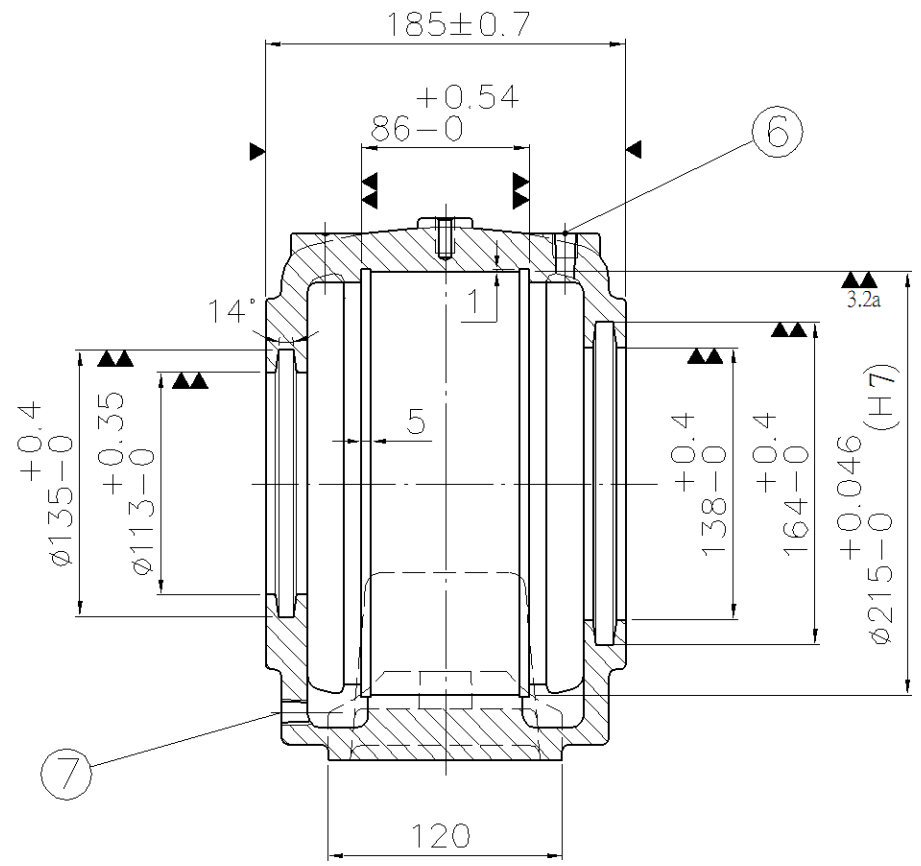
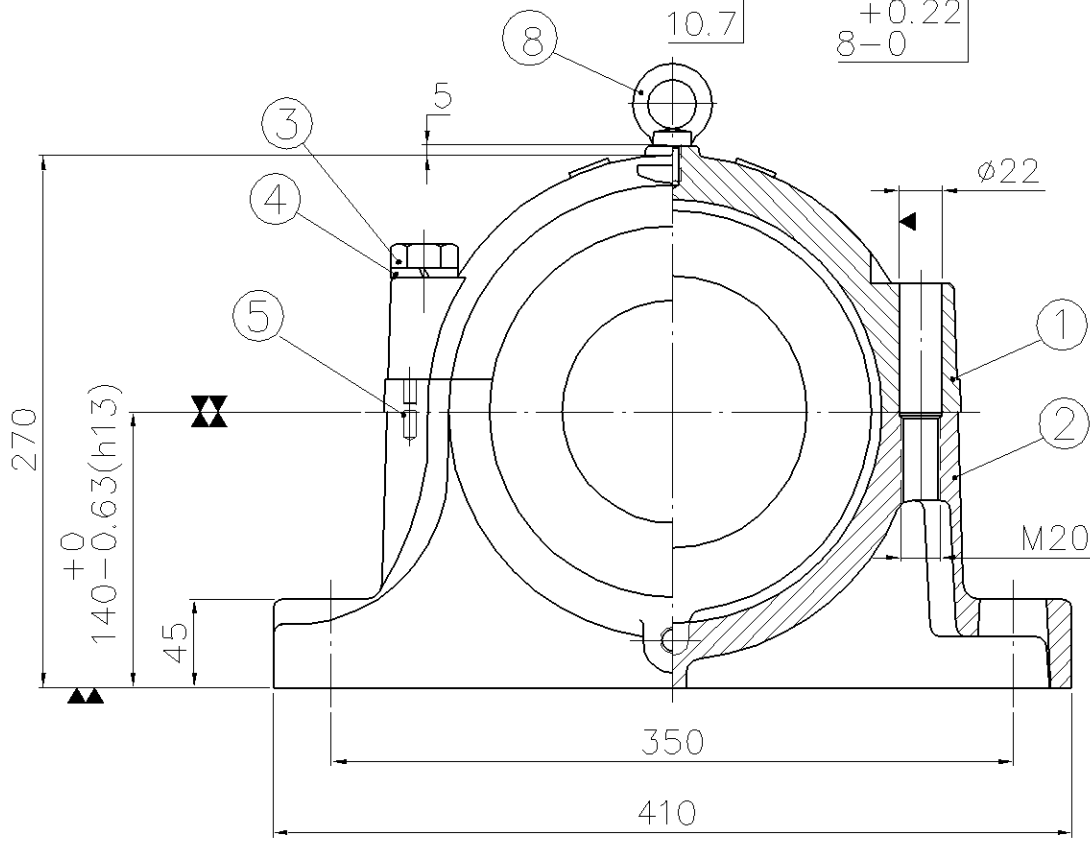


ITEM	DESCRIPTION	DETAIL	MATERIAL	Q'TY
1	CAP CASTING	SNZ224	FC200	1
2	BASE CASTING	SNZ224	FC200	1
3	HEX.HEAD BOLT	M20x2.5Px110LG	AISI-1010	2
4	LOCK WASHER	M20	AISI-1045	2
5	DOWEL PIN	φ6x16LG	AISI-1045	2
6	GREASE NIPPLE	PT 1/4	AISI-1010	1
7	METAL PLUG	PT 1/4	AISI-1010	1
8	EYE BOLT	W3/8"X18LG	AISI-1010	1



FAIR FRIEND ENT. GROUP.

NAME	DATE
DRAWN H.S.Y	2010/11/22
CHECKED K.Y.S	2010/11/22
SCALE	Issue

FAIRSKQ (TAIWAN) CO., LTD.		
DRAWING NAME	DRAWING NO	EDITION
SNZ224	PB37224D	00

REV.	MARK	CAREER	NAME	DATE

敬告 RESTRICTED
 此圖乃友迦工業(股)公司財產,未經本公司正式授權,不得私自影印或將內容透漏與第三者。
 THIS DRAWING IS PROPERTY OF FAIRSKQ (TAIWAN) CO., LTD. AND IS TRANSMITTED TO YOU AS A CONFIDENTIAL DISCLOSURE. IT SHALL NOT BE COPIED OR IT'S CONTENTS REVEALED TO OUTSIDE PARTIES WITHOUT WRITTEN CONSENT OF FAIRSKQ (TAIWAN) CO., LTD.